



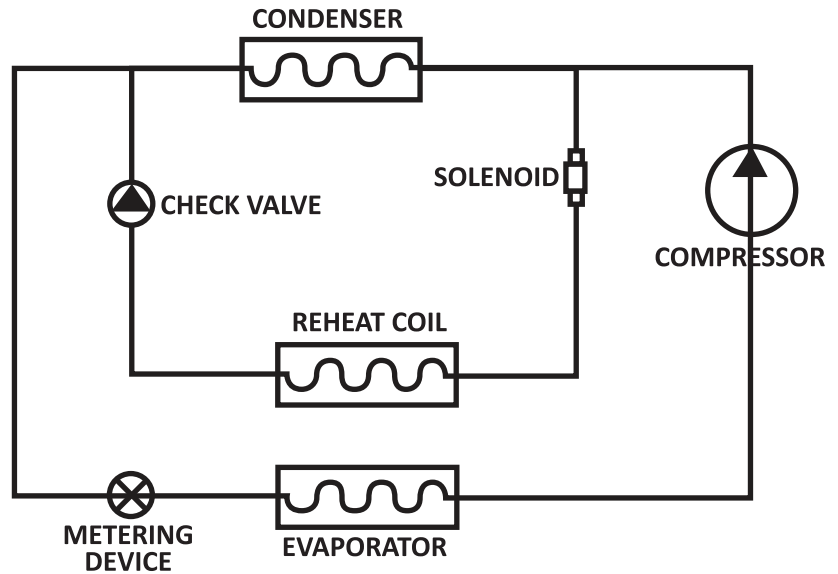
Easy Dri

SUBMITTAL

Adaptive Humidity Control for FRIEDRICH

FEATURES & BENEFITS

- Reheat Adaption to Friedrich VHA Models
- Controls Space Temperature and Humidity
- Allows for Increased Outside Air
- Better Indoor Air Quality
- Reduction in Space Mold and Mildew
- Maintenance Free



PERFORMANCE TABLE

	TONNAGE	CFM	A.P.D	CAPACITY (BTU/HR)	REHEAT	OUTSIDE AIR (CFM)
ED-09	0.75	250~350	.1~.2"	2,800~3,200	10~12°F	35
ED-12	1	300~400	.1~.2"	3,500~3,800	10~12°F	35
ED-18	1.5	500~600	.1~.2"	4,500~4,800	8~10°F	35
ED-24	2	700~800	.1~.2"	6,200~6,800	8~10°F	35

SEQUENCE OF OPERATION

When temperature and humidity are above setpoint, compressor is on and reheat is off.

When temperature is at setpoint and humidity is above setpoint, compressor is on and reheat is on.

When temperature and humidity are at setpoint, compressor and reheat are off.

WARRANTY

1 Year Parts